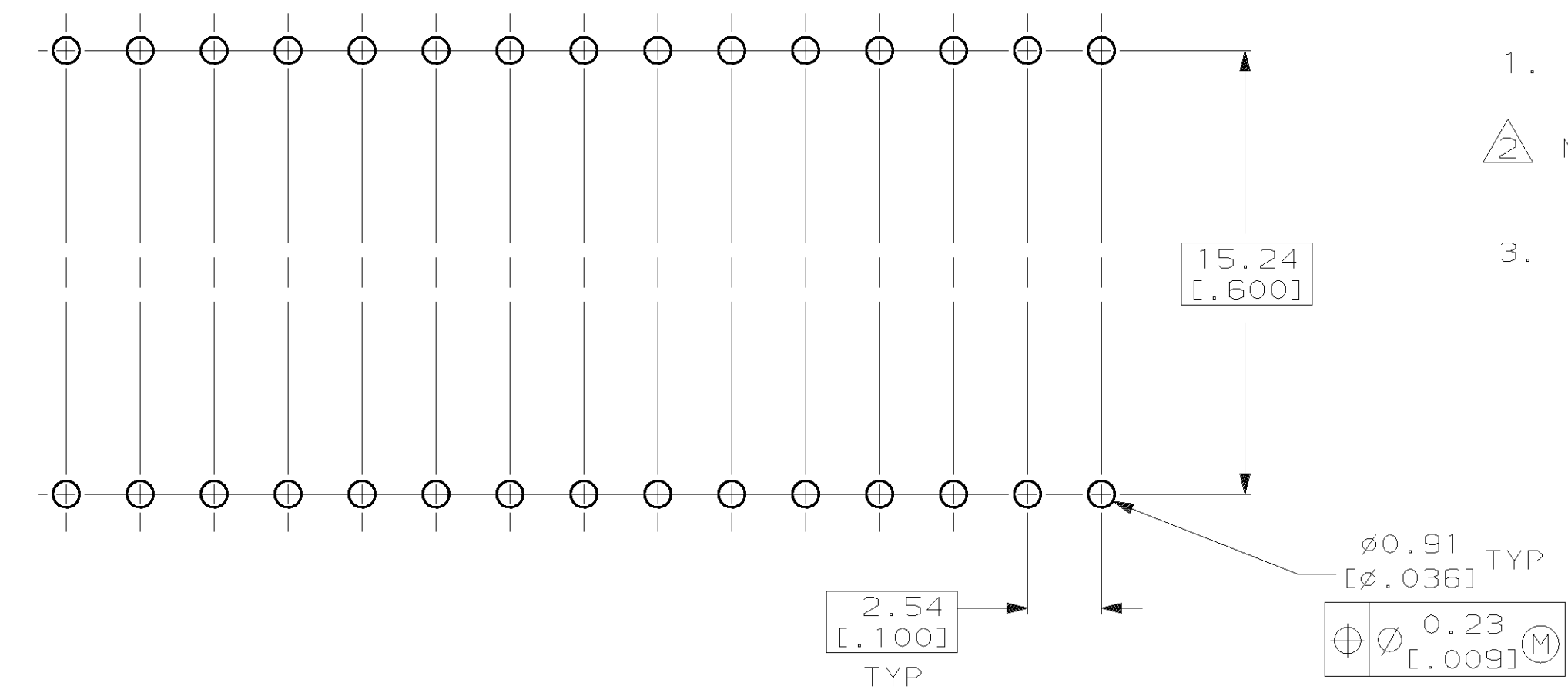
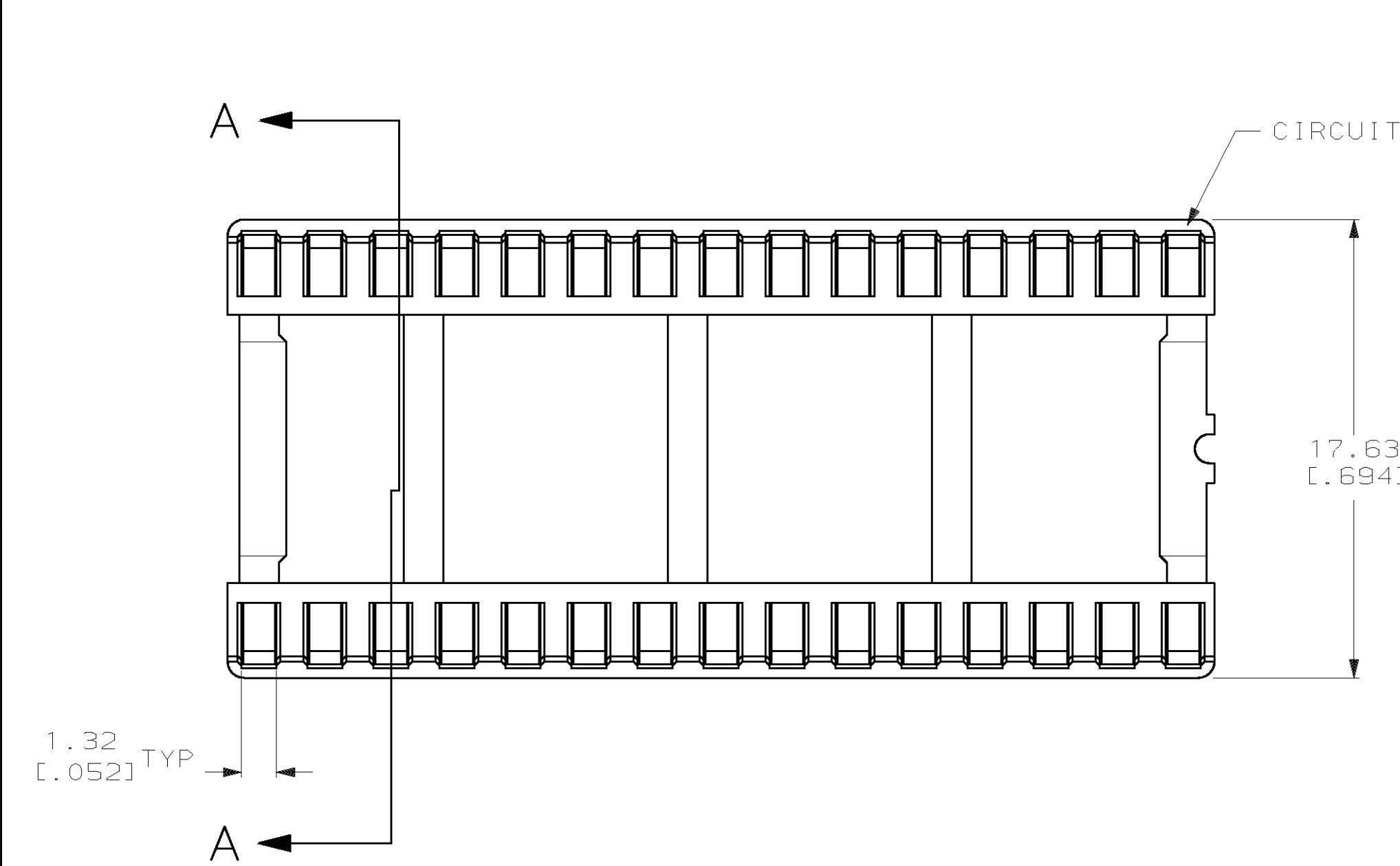
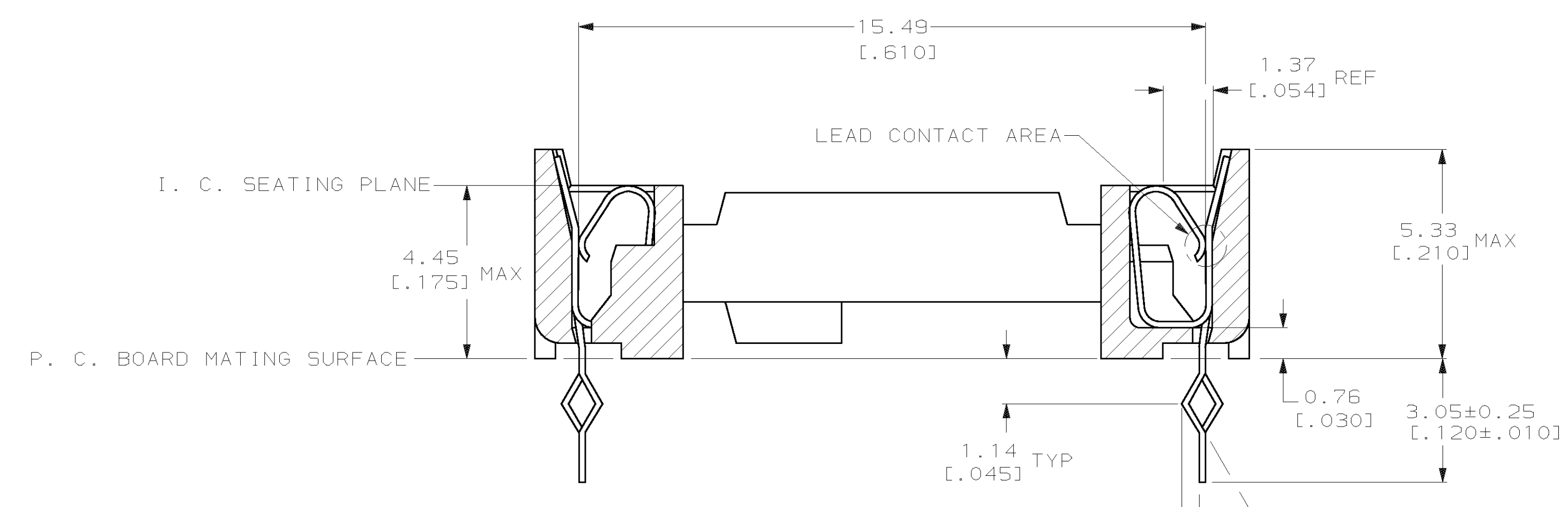
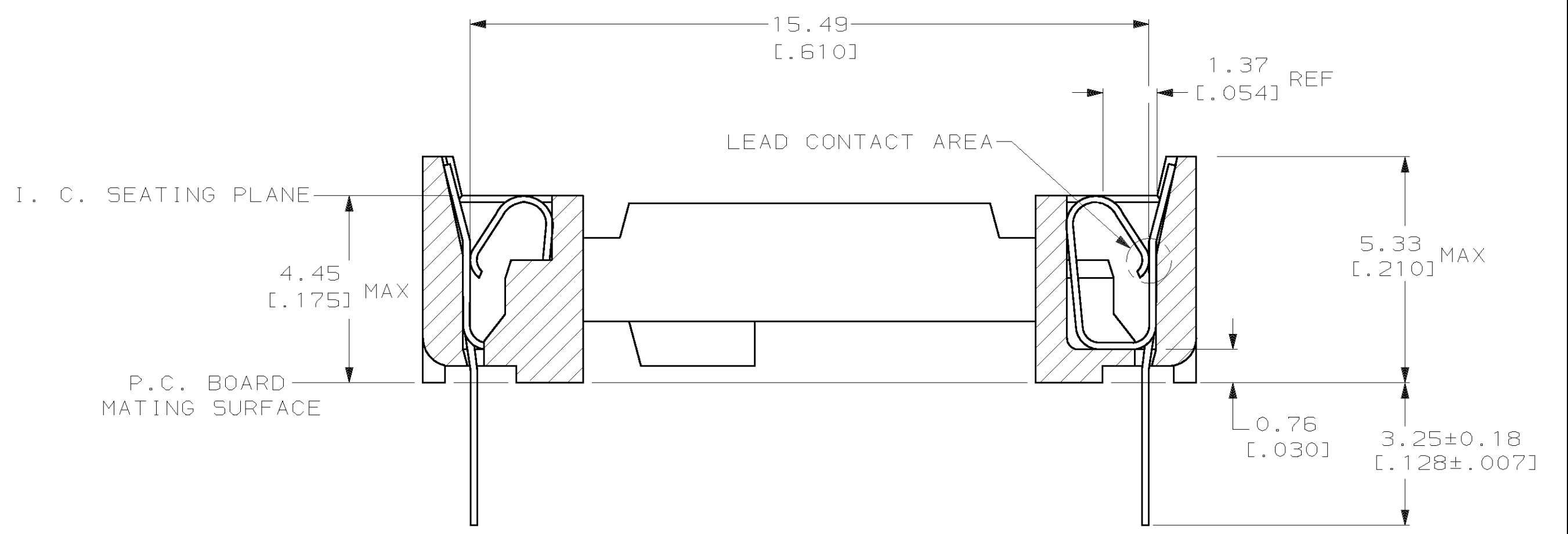
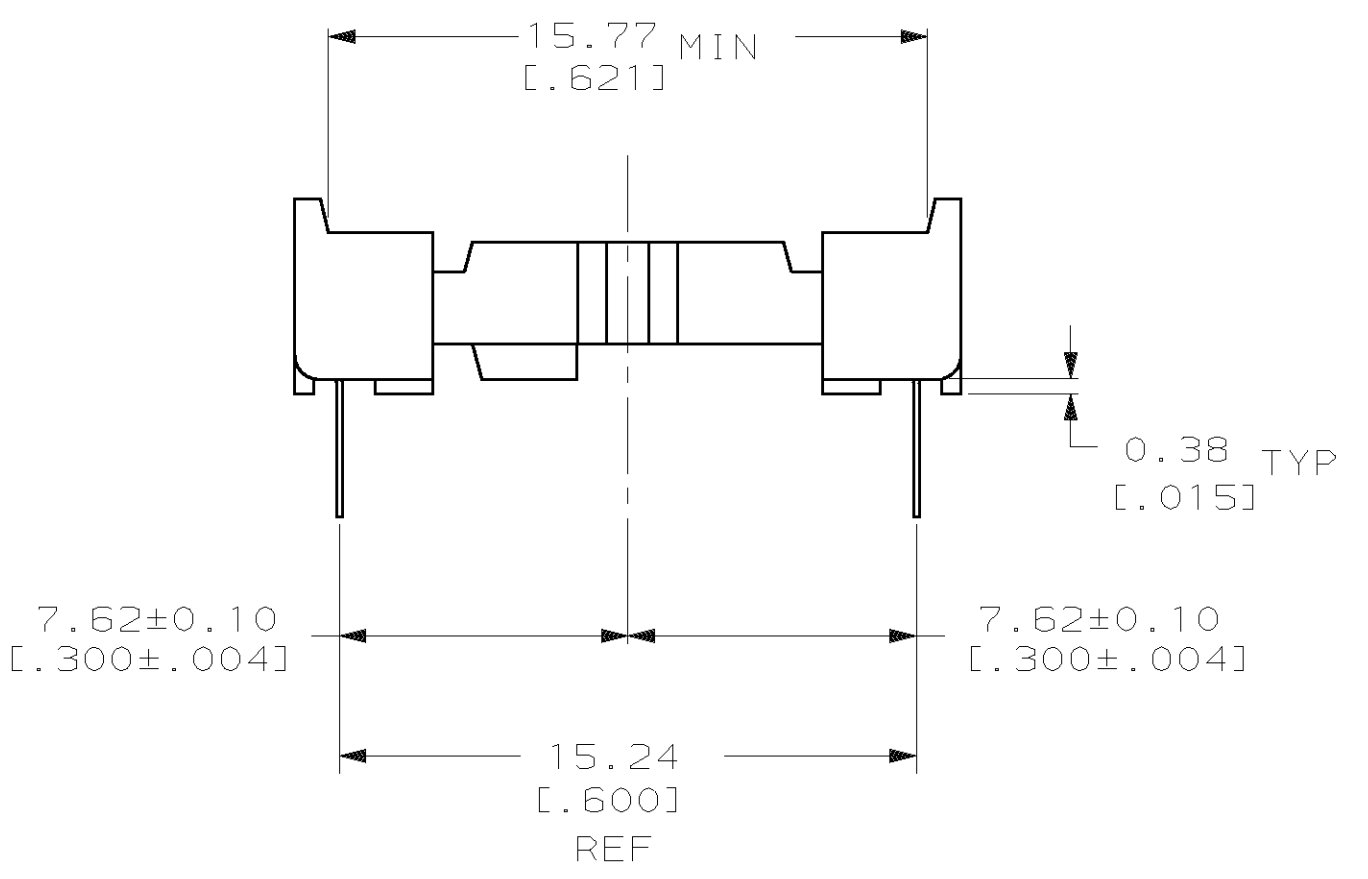
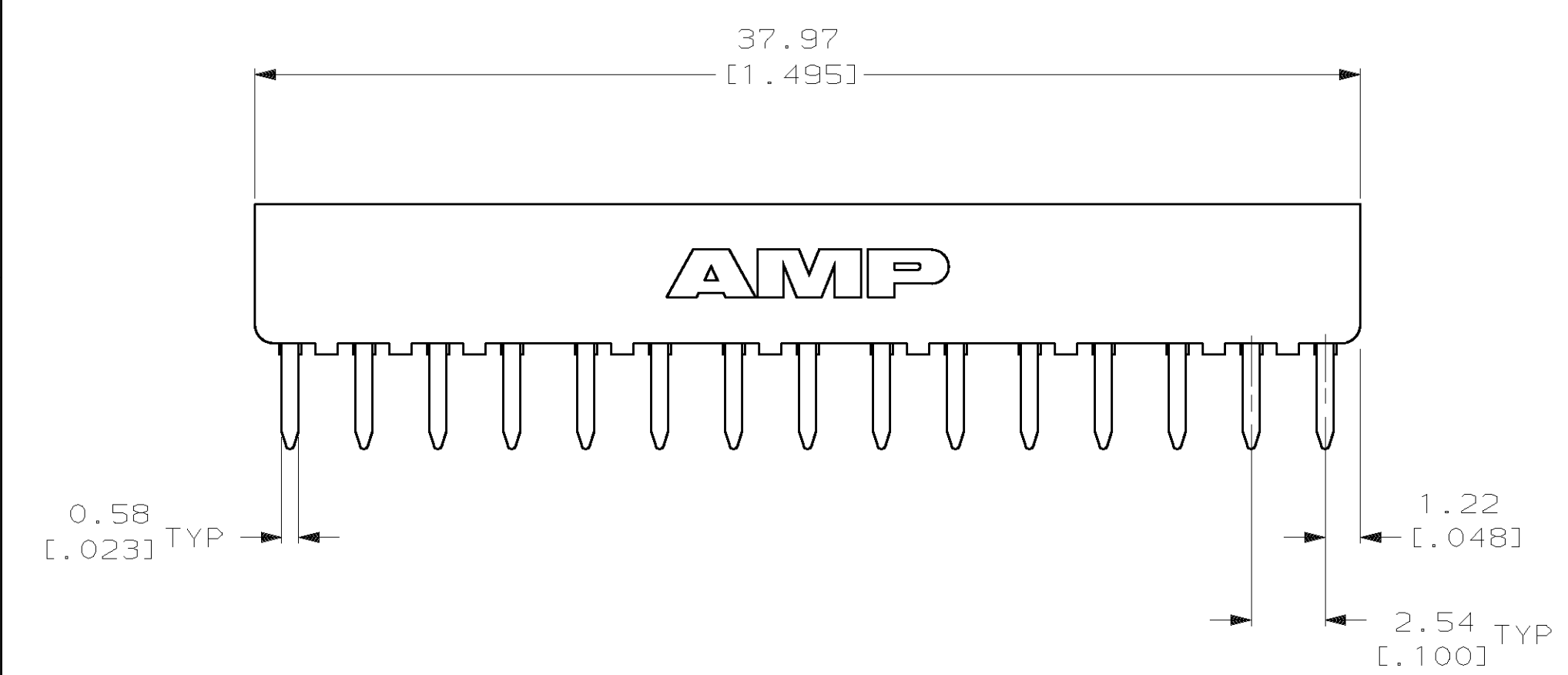


LOC		DIST		REVISIONS			
FT	64	TR	LTR	DESCRIPTION	DATE	DWN	APVD
		C		REV PER 063C-0104-01	25SEP01	RB	JO



1. RECEPTABLE ACCEPTS AN 0.20-0.36 [.008-.014] THK I.C. LEAD.
2. MATERIAL: HOUSING-GLASS FILLED THERMOPLASTIC, 94V-0, BLACK
3. TUBE LOADED.



TINNED	PHOS.BRZ.0.15[.006] THK		2-382719-8
TINNED	BE.CU. 0.15[.006] THK		2-382719-6
TINNED	PHOS.BRZ.0.15[.006] THK		2-382719-3
TINNED	BE.CU. 0.15[.006] THK		2-382719-1
CONTACT PLATING	CONTACT MATERIAL	HOUSING MATERIAL	PART NUMBER

THIS DRAWING IS A CONTROLLED DOCUMENT.

DWN: C. WHITT 22 OCT 92  
 CHK: R. TALLEY 03 NOV 92  
 APVD: F. ROYD 06 NOV 92

AMP Incorporated  
 Harrisburg, PA 17105-3608

PRODUCT SPEC: 108-1066  
 APPLICATION SPEC: 114-1049

SIZE: A1  
 CAGE CODE: 00779  
 DRAWING NO: C-382719

RESTRICTED TO: CUSTOMER DRAWING

SCALE: 5:1 SHEET: 1 OF 1 REV: C