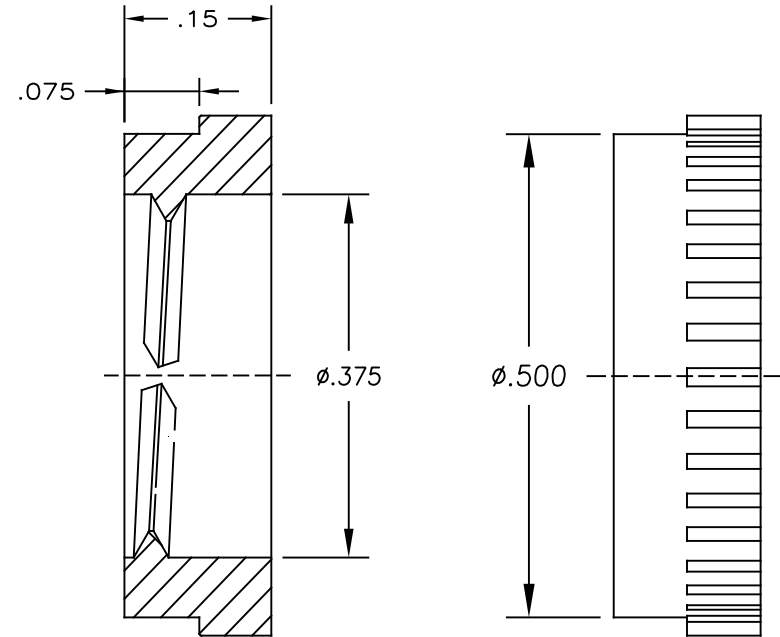
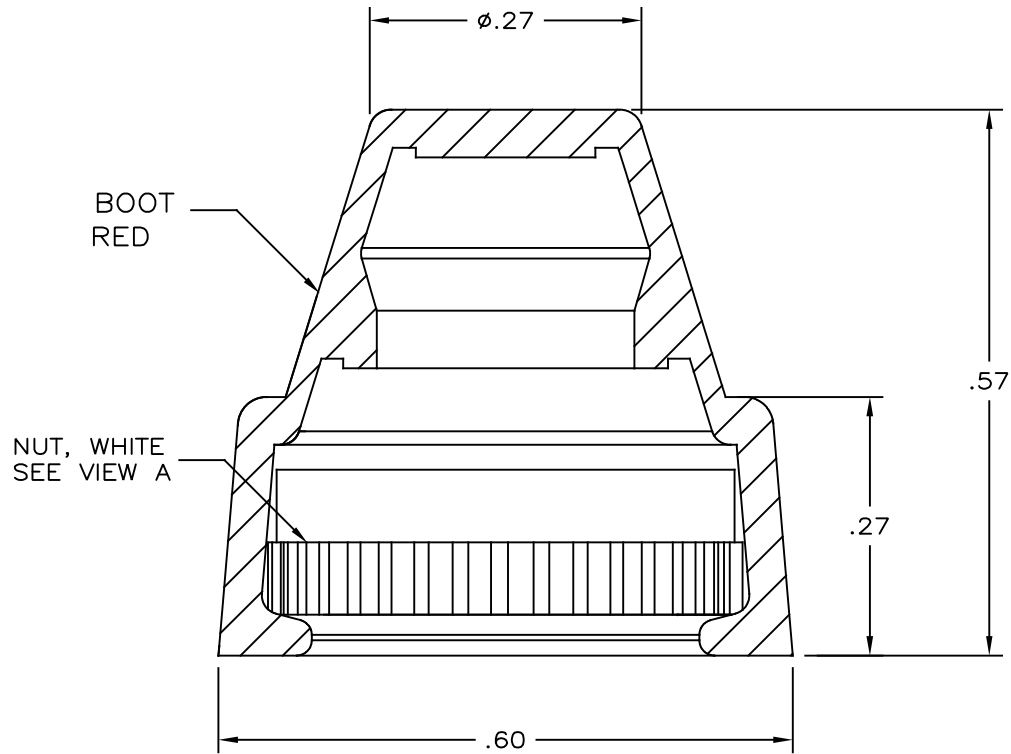


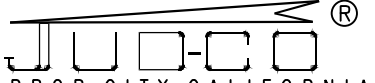
LTR	EN	DESCRIPTION	APPR	BY	DATE
A	-	INITIAL RELEASE	MT	DC	04-01-08
B	6804	UPDATED BOOT DETAIL	MT	DC	11-01-17



VIEW A

JUDCO INVENTORY NO. 19-1103-01
 DESCRIPTION: J961 BOOT RED
 RoHS COMPLIANT

CUSTOMER:
 CUSTOMER PN:
 APPROVED BY: _____
 DATE: _____

DIMENSIONS IN INCHES DIMENSIONS ARE REFERENCE		 HARBOR CITY CALIFORNIA TITLE J-961 BOOT RED	
DRAWN: DC	04-01-08	DWG. NO.	1415-1358
APPR: KJ	04-01-08	SHEET	1 OF 1
ENG: IS	11-01-17		
1415U1358B.DWG			

This document embodies a product, component, and/or design proprietary to JUDCO MANUFACTURING INC., and which is protected either as a trade secret, by U.S. Patent, or by copyright. It may not be used in any way without written express consent of JUDCO MANUFACTURING INC.