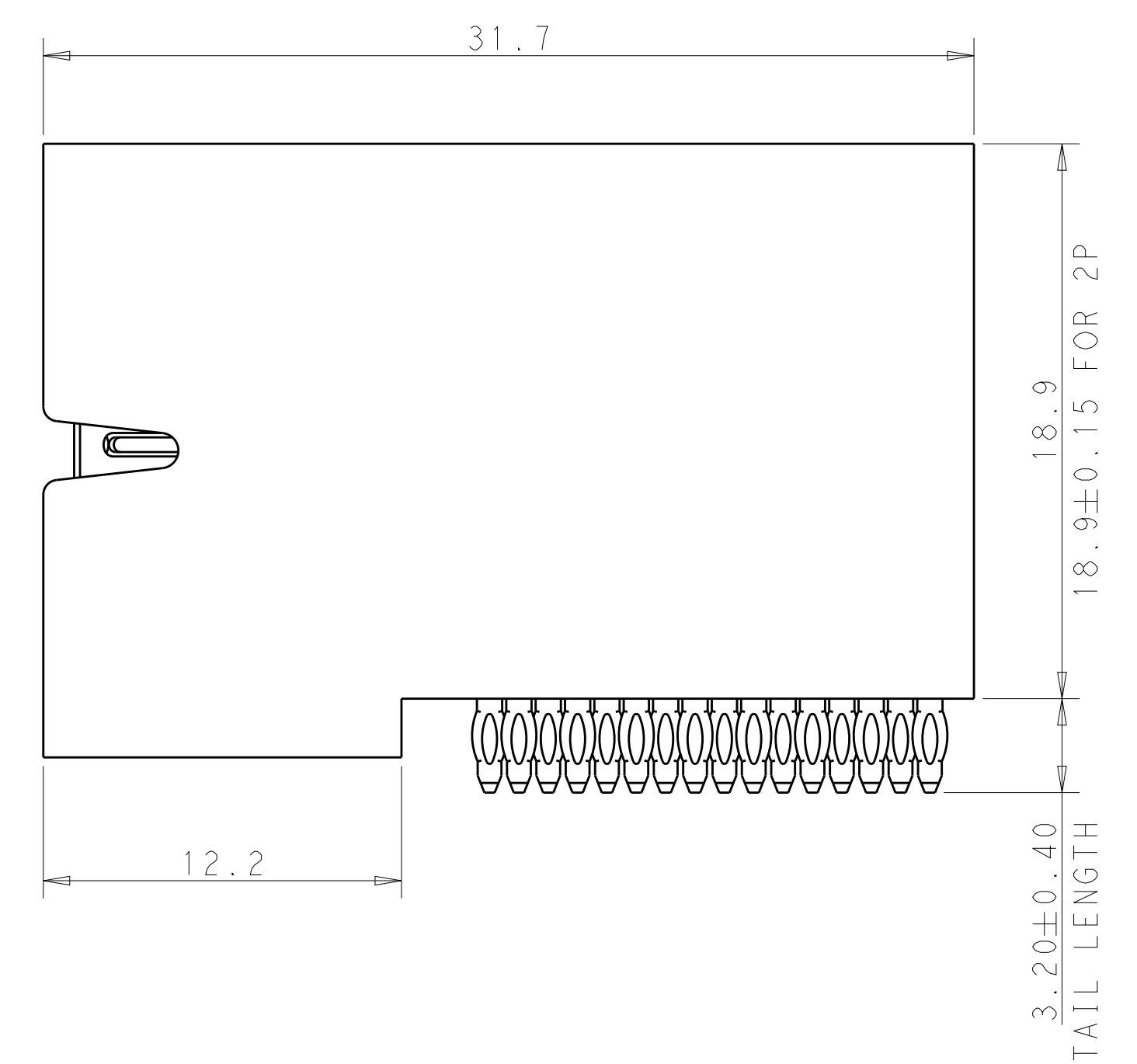
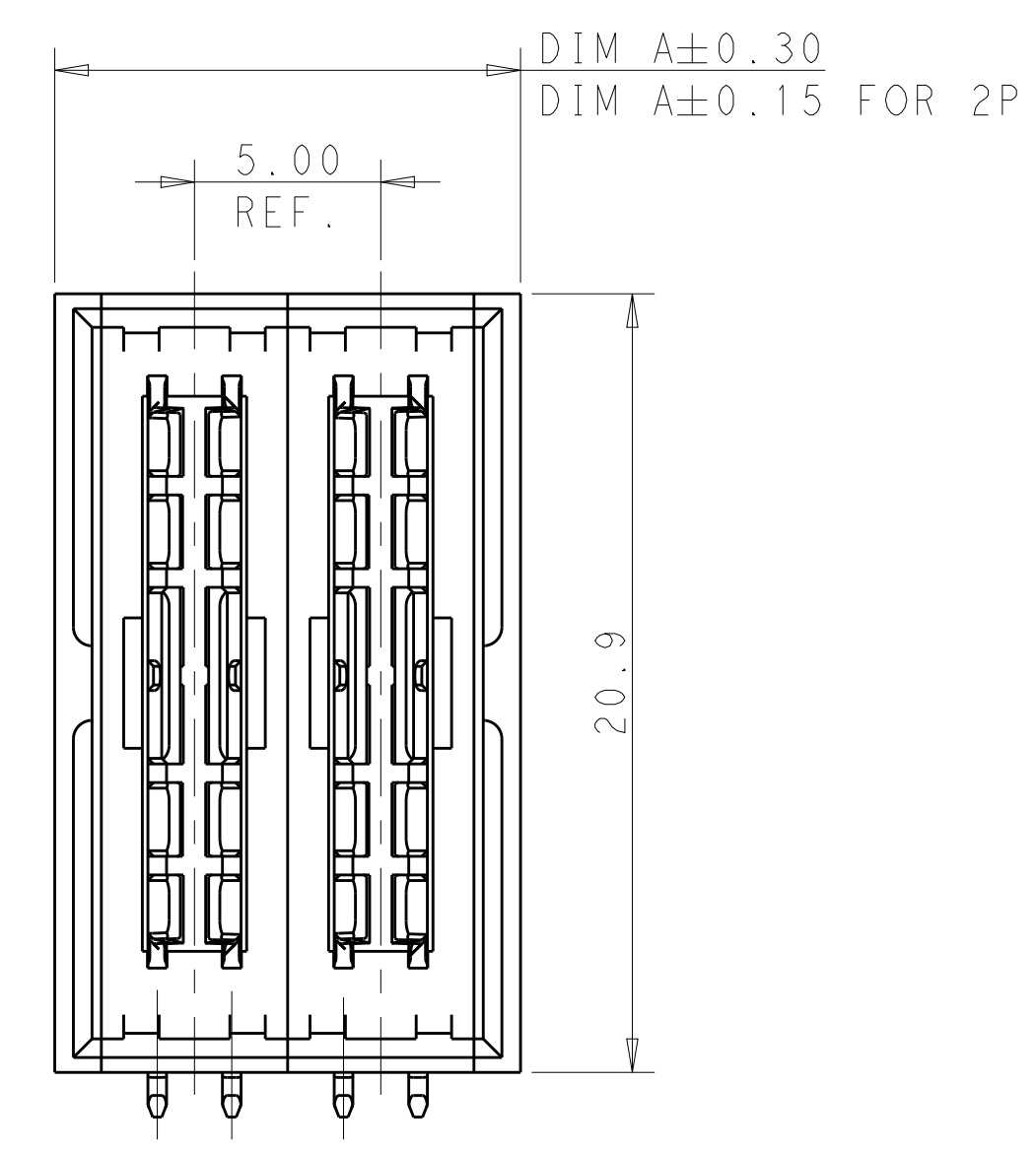
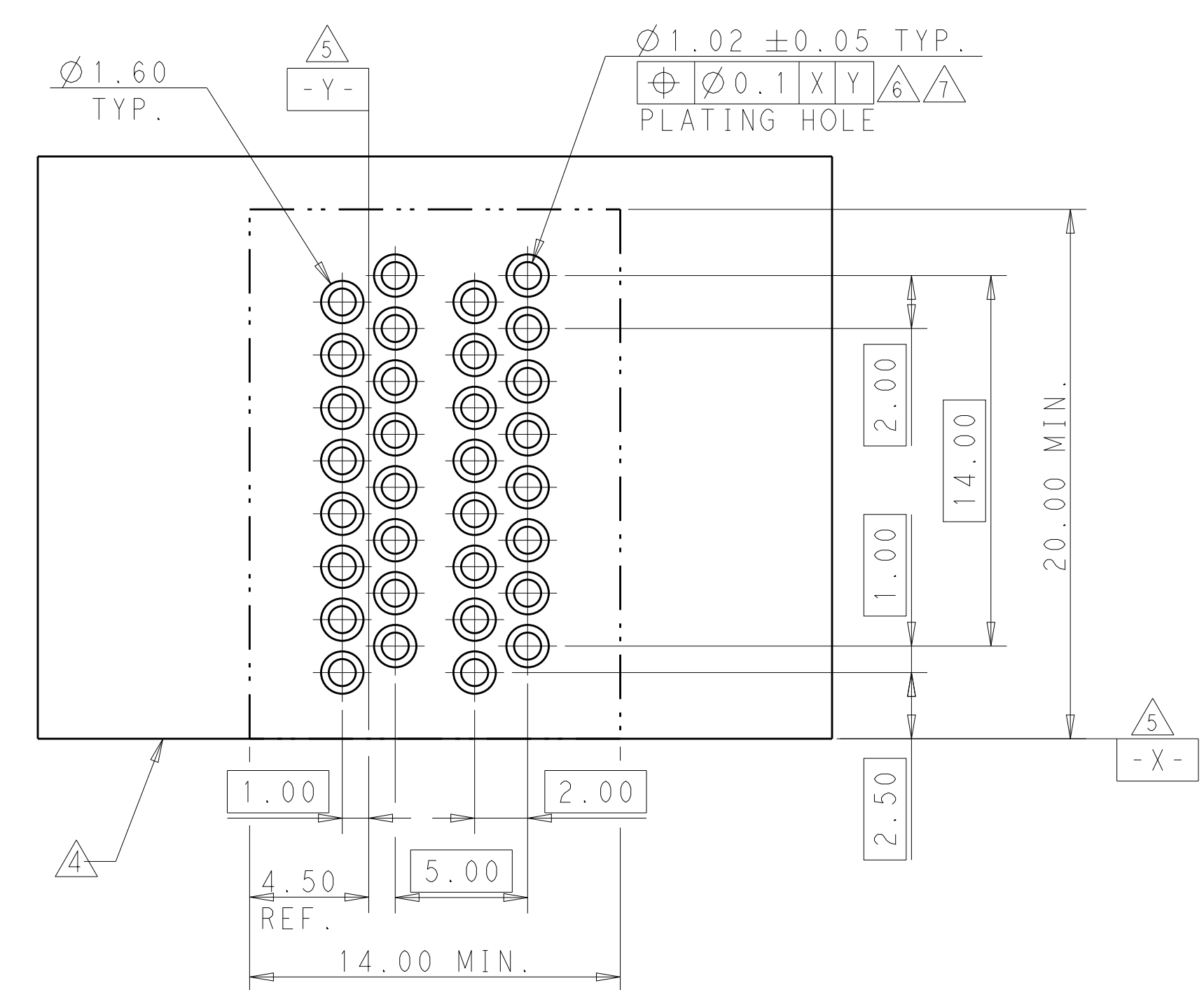
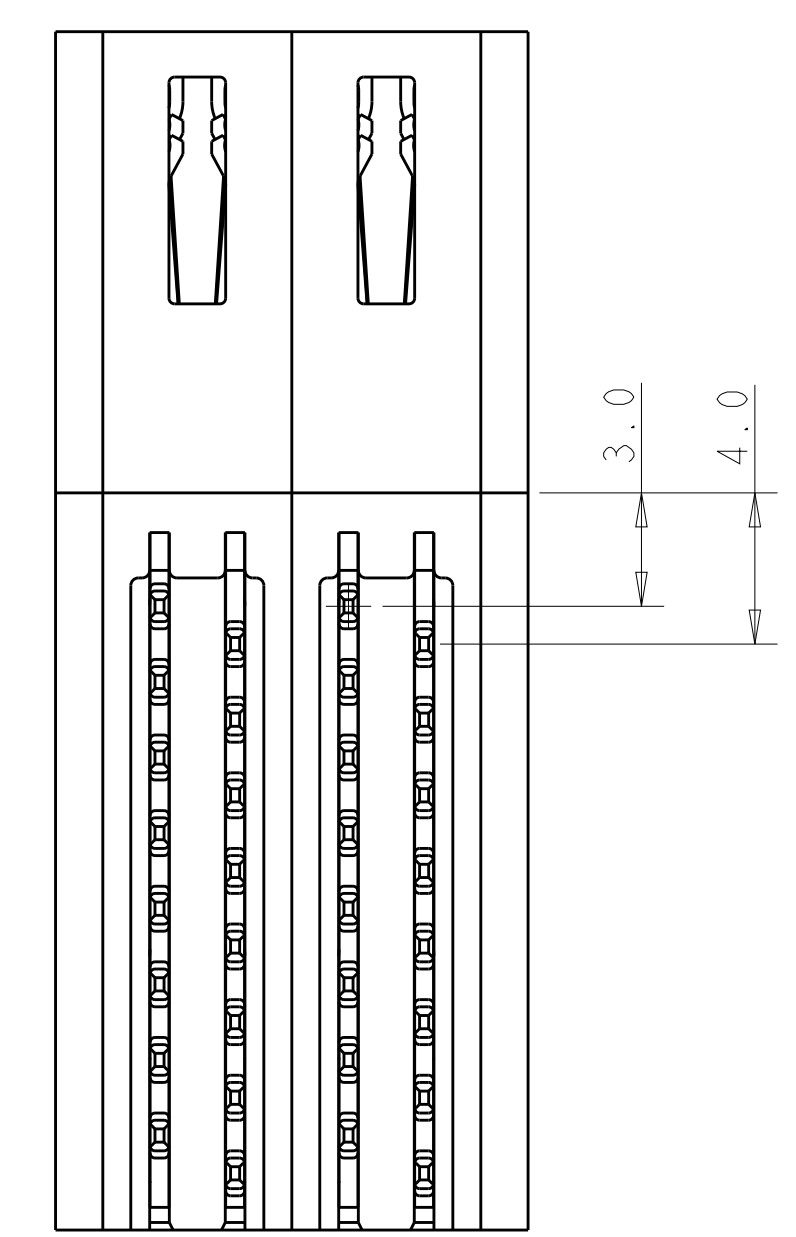


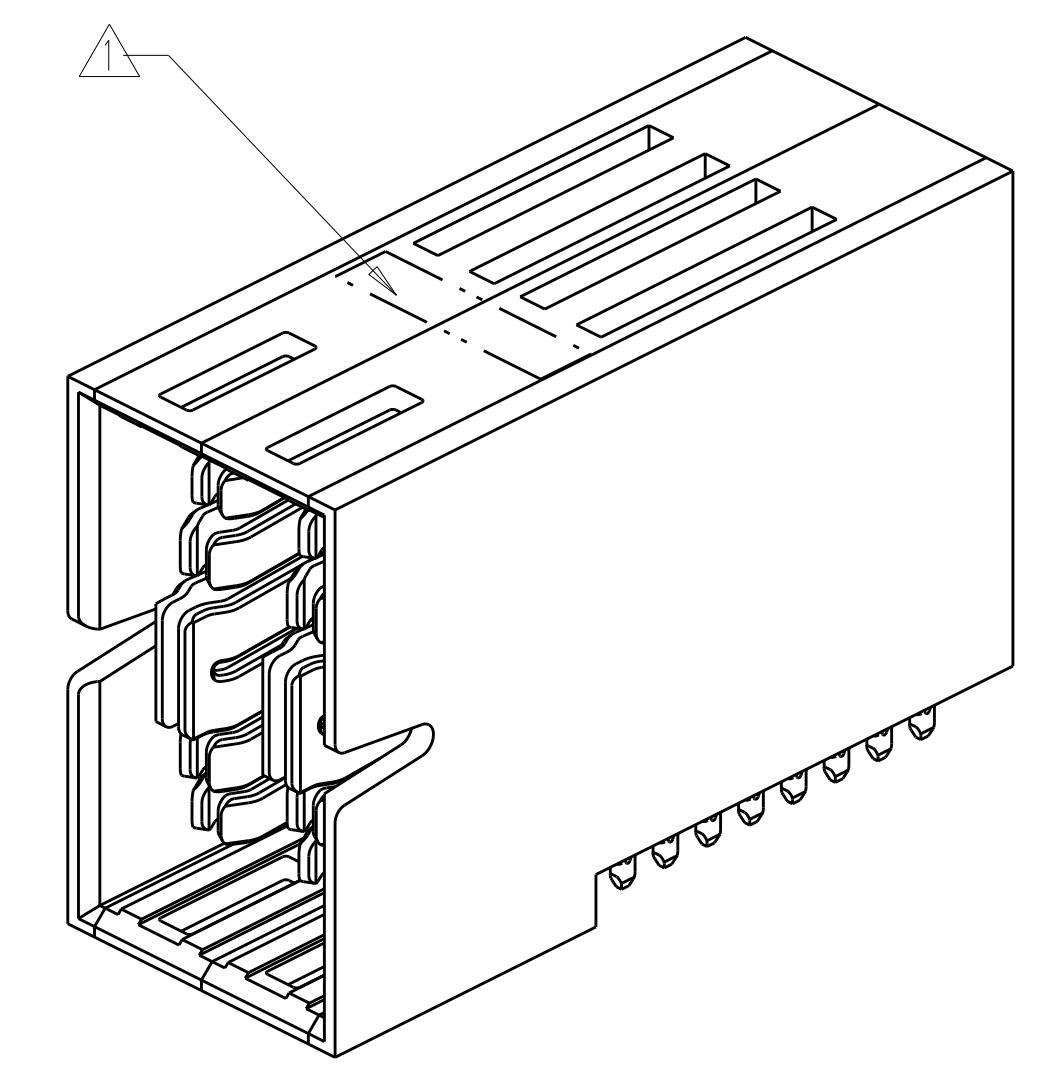
LOC	DIST	REVISIONS			
		REV	DATE	BY	APPV
		A	PROPOSAL DRAWING	24APR2015	TZ SZ
		A1	ECR-16-004133	18MAR2016	TZ SZ
		A2	ECR-17-003044	02MAR2017	TZ SZ
		A3	ECR-17-005554	18APR2017	TZ SZ



NOTES, UNLESS OTHERWISE SPECIFIED:
 ▲ "TE", PART NUMBER AND DATE CODE TO BE MARKED IN AREA SHOWN.
 ▲ MATERIAL:
 HOUSING - GLASS FILLED HIGH TEMP THERMO PLASTIC, COLOR: BLACK, UL94 V- 0.
 SIGNAL CONTACT - HIGH CONDUCTIVITY COPPER ALLOY.
 POWER CONTACT - HIGH CONDUCTIVITY COPPER ALLOY.
 ▲ CONTACT PLATING:
 MATING AREA - NOBLE METAL OVERALL NICKEL
 TAIL SIDE AREA - MATTE TIN OVERALL NICKEL.
 ▲ MECHANICAL CONNECTOR KEEP OUT ZONE.
 ▲ DATUM AND BASIC DIMENSIONS ESTABLISHED BY CUSTOMER.
 ▲ PCB - ALL HOLE DIAMETERS ARE FINISHED HOLE SIZES.
 ▲ PCB HOLE:
 POWER - 1.15 ± 0.025 MM DRILLED HOLES SIZE PLATING WITH 0.0076 MM MIN. Sn OVER 0.025~0.076 MM Cu PLATING TO ACHIEVE A 1.02 MM DIA. HOLE.



PART NUMBER	POWER	
	P1	P2
2204443-1	PH	PH
2P		



DESCRIPTION	CODE
MIDDLE POWER CONTACT	MH
POWER CONTACT	PH

PRELIMINARY	SIZE	CAGE CODE	DESCRIPTION	DRAWING NO	PART NUMBER
	14.50	4MP		2204443-4	
	22.50	4P		2204443-2	
	12.50	2P		2204443-1	

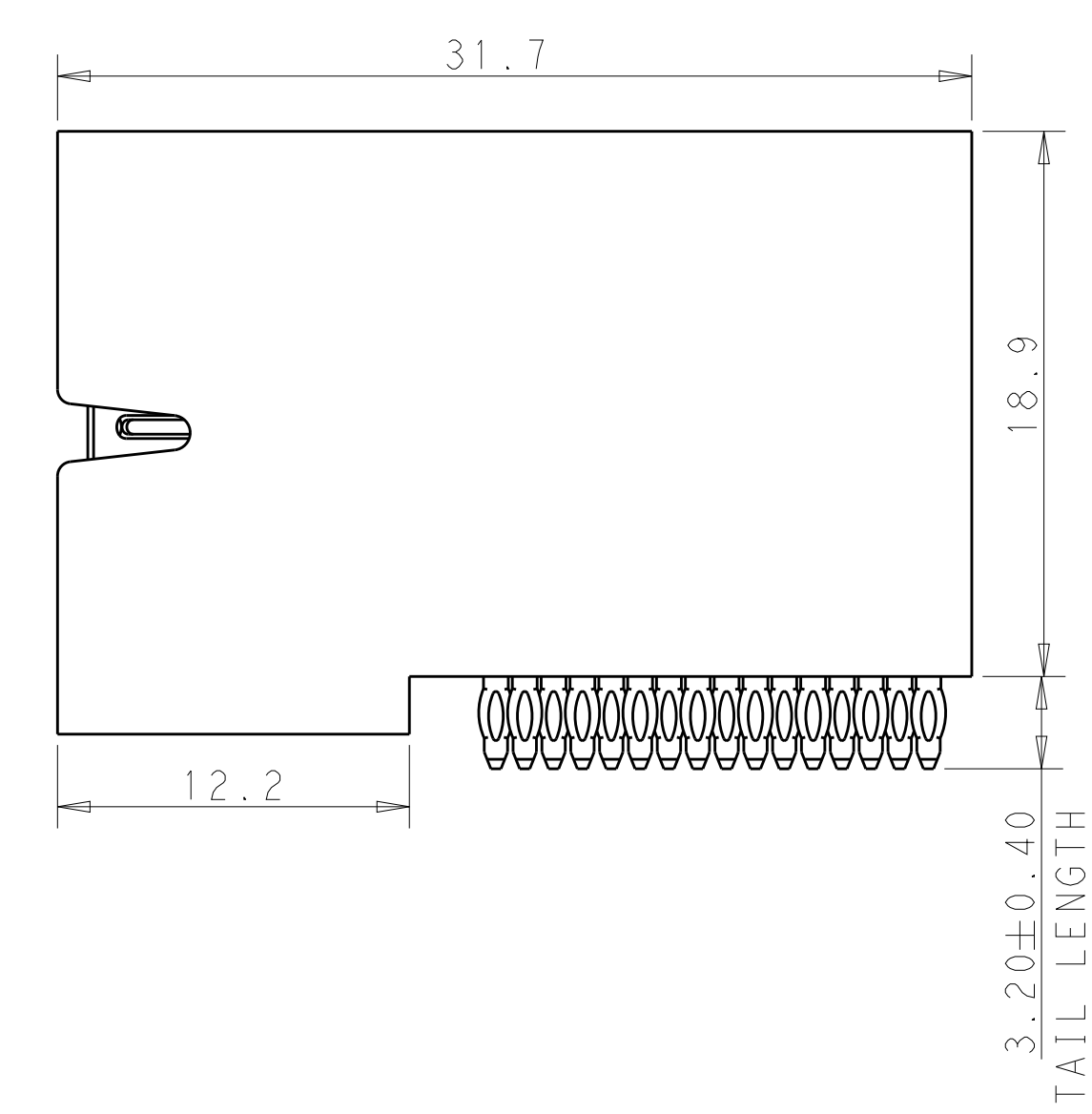
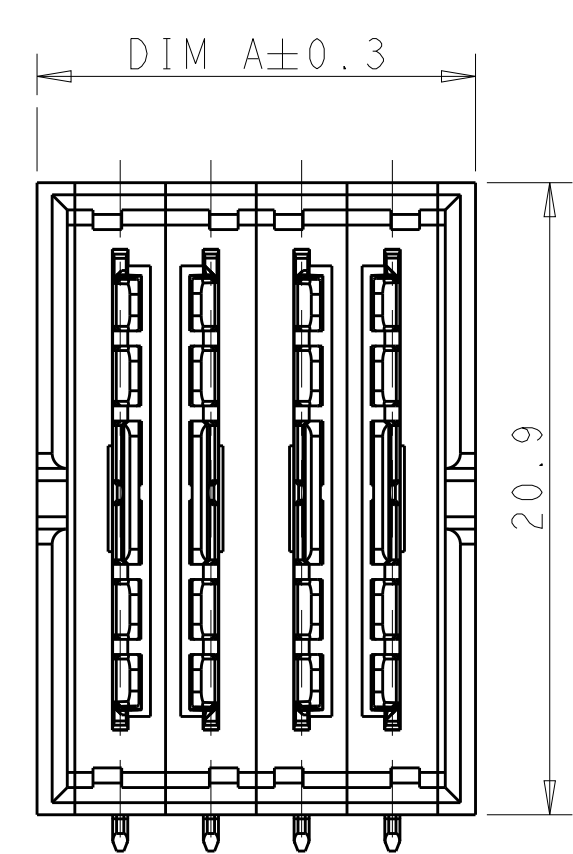
THIS DRAWING IS A CONTROLLED DOCUMENT. DWN: THOMAS_ZHAO 28JUN2012, CHK: SUNY_ZHAO 28JUN2012, APVD: SUNY_ZHAO 28JUN2012

STE TE Connectivity

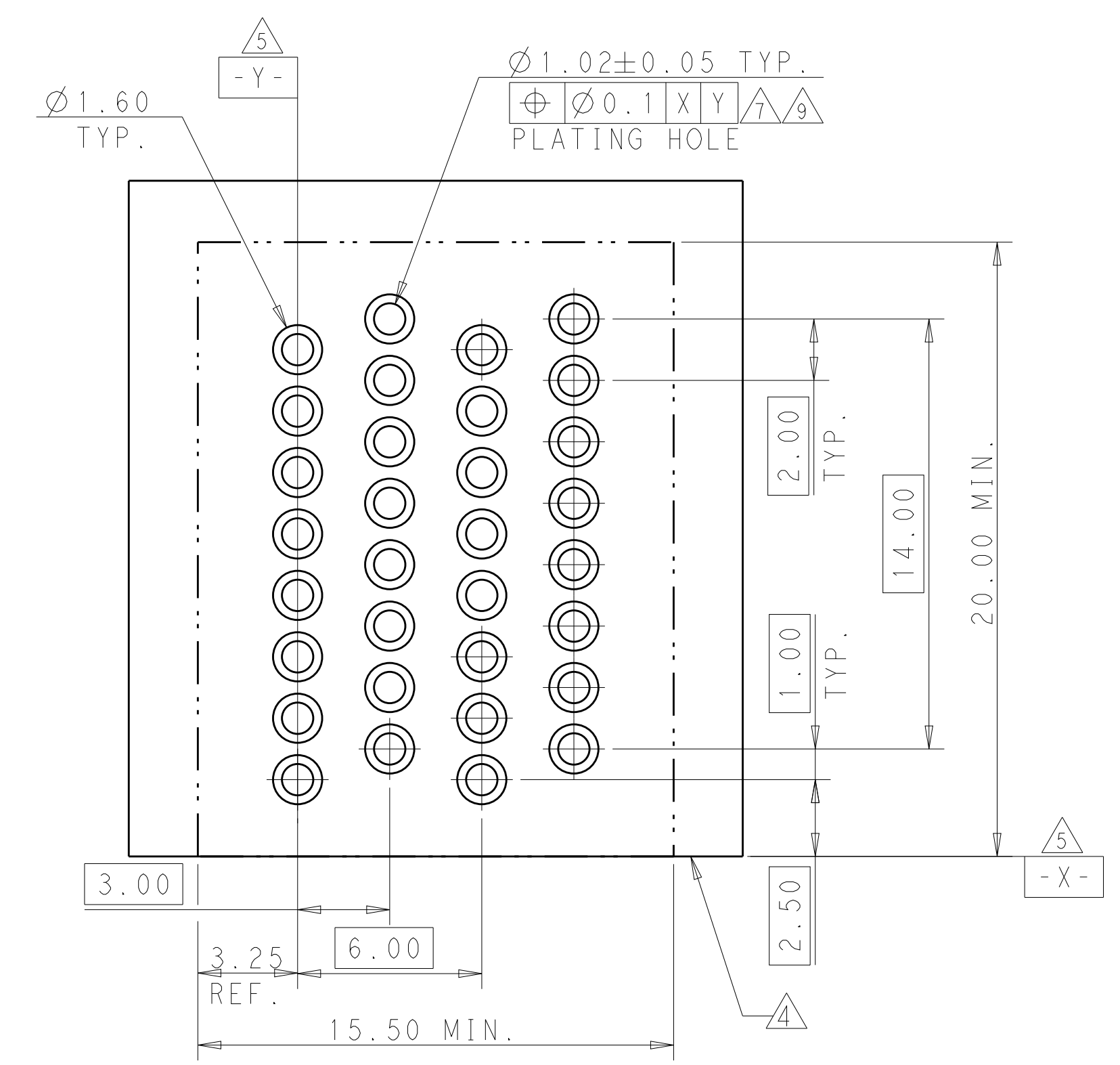
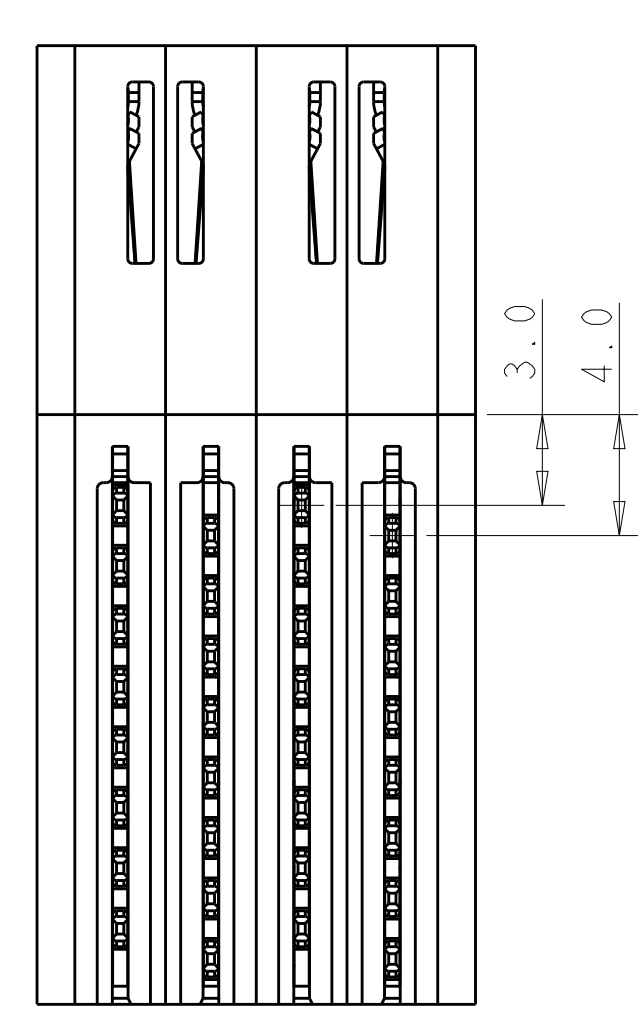
Customer Drawing
RIGHT ANGLE PLUG PRESS FIT
MULTI-BEAM HD W/GUIDELESS

SCALE: 5:1 SHEET 1 OF 3 REV: A3

LOC		DIST		REVISIONS			
P	LTN	DESCRIPTION	DATE	DWN	APVD		
-	-	SEE SHEET 1	-	-	-		

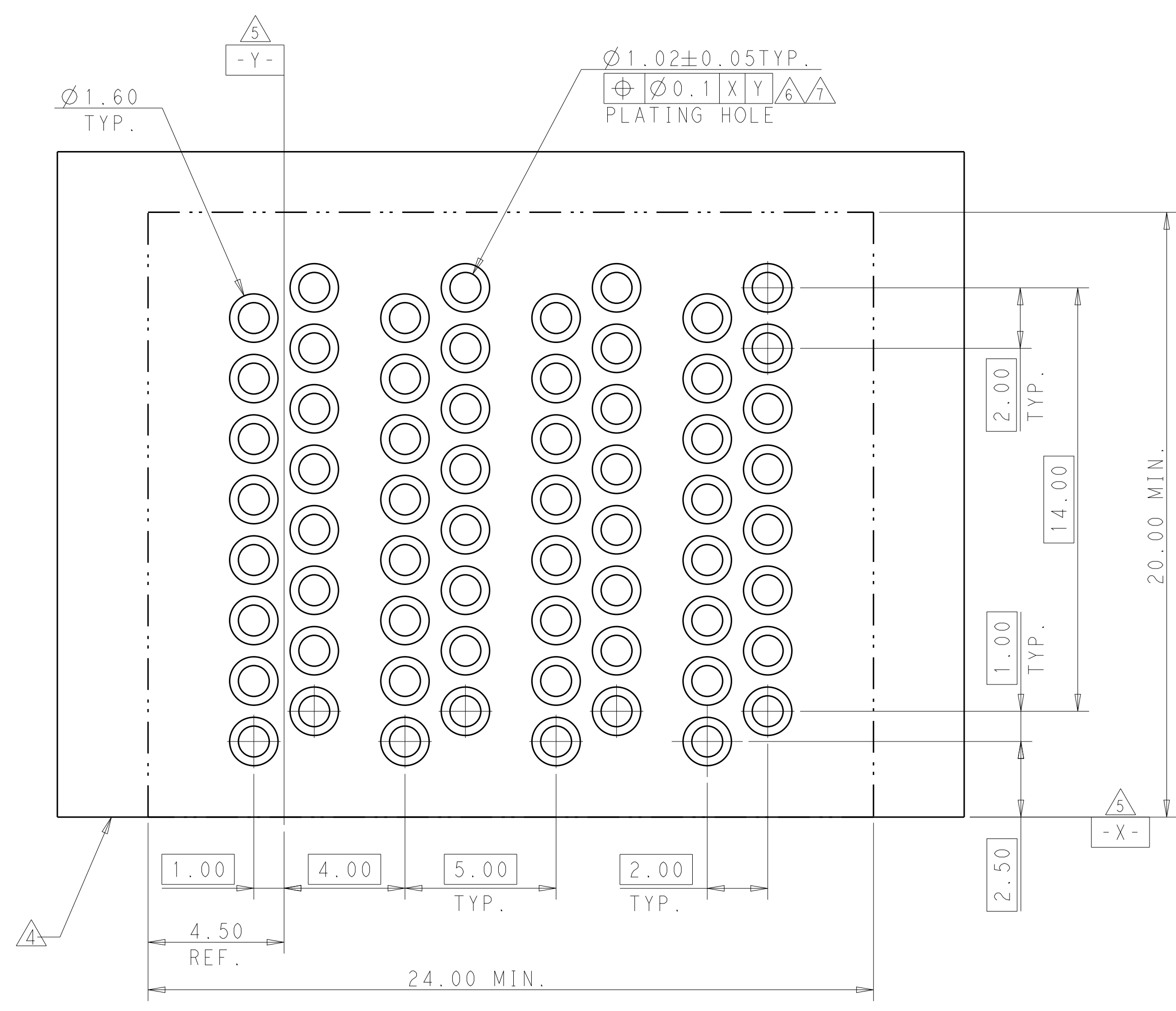


PART NUMBER	POWER			
	M1	M2	M3	M4
2204443-4	MH	MH	MH	MH
4MP				



THIS DRAWING IS A CONTROLLED DOCUMENT.		DWN THOMAS_ZHAO 28JUN2012	TE Connectivity
DIMENSIONS: mm		CHK SUNY_ZHAO 28JUN2012	
TOLERANCES UNLESS OTHERWISE SPECIFIED:		APVD SUNY_ZHAO 28JUN2012	NAME Customer Drawing
0 PLC ±	1 PLC ±0.4	PRODUCT SPEC	RIGHT ANGLE PLUG PRESS FIT
2 PLC ±0.75	3 PLC ±1.15	APPLICATION SPEC	MULTI-BEAM HD W/GUIDELESS
4 PLC ±	ANGLES ±	WEIGHT	SIZE A1
MATERIAL	FINISH	CUSTOMER DRAWING	CAGE CODE DRAWING NO. C=2204443
		SCALE 5:1	SHEET 2 OF 3
		REV A3	

LOC		DIST		REVISIONS			
P	LTN	DESCRIPTION	DATE	DWN	APVD		
-	-	SEE SHEET 1	-	-	-	-	-



PART NUMBER	POWER			
	P1	P2	P3	P4
2204443-2	PH	PH	PH	PH
4P				

THIS DRAWING IS A CONTROLLED DOCUMENT.		DWN THOMAS_ZHAO 28JUN2012	TE Connectivity
DIMENSIONS: mm		CHK SUNY_ZHAO 28JUN2012	
TOLERANCES UNLESS OTHERWISE SPECIFIED:		APVD SUNY_ZHAO 28JUN2012	NAME Customer Drawing
0 PLC ±	1 PLC ±0.4	PRODUCT SPEC	RIGHT ANGLE PLUG PRESS FIT
2 PLC ±0.75	3 PLC ±1.15	APPLICATION SPEC	MULTI-BEAM HD W/GUIDELESS
4 PLC ±	ANGLES ±	WEIGHT	SIZE A1
MATERIAL	FINISH	CUSTOMER DRAWING	CAGE CODE DRAWING NO. C=2204443
		SCALE 5:1	SHEET 3 OF 3
		REV A3	