

/PLAN-2D/777TWB5W5P3Y

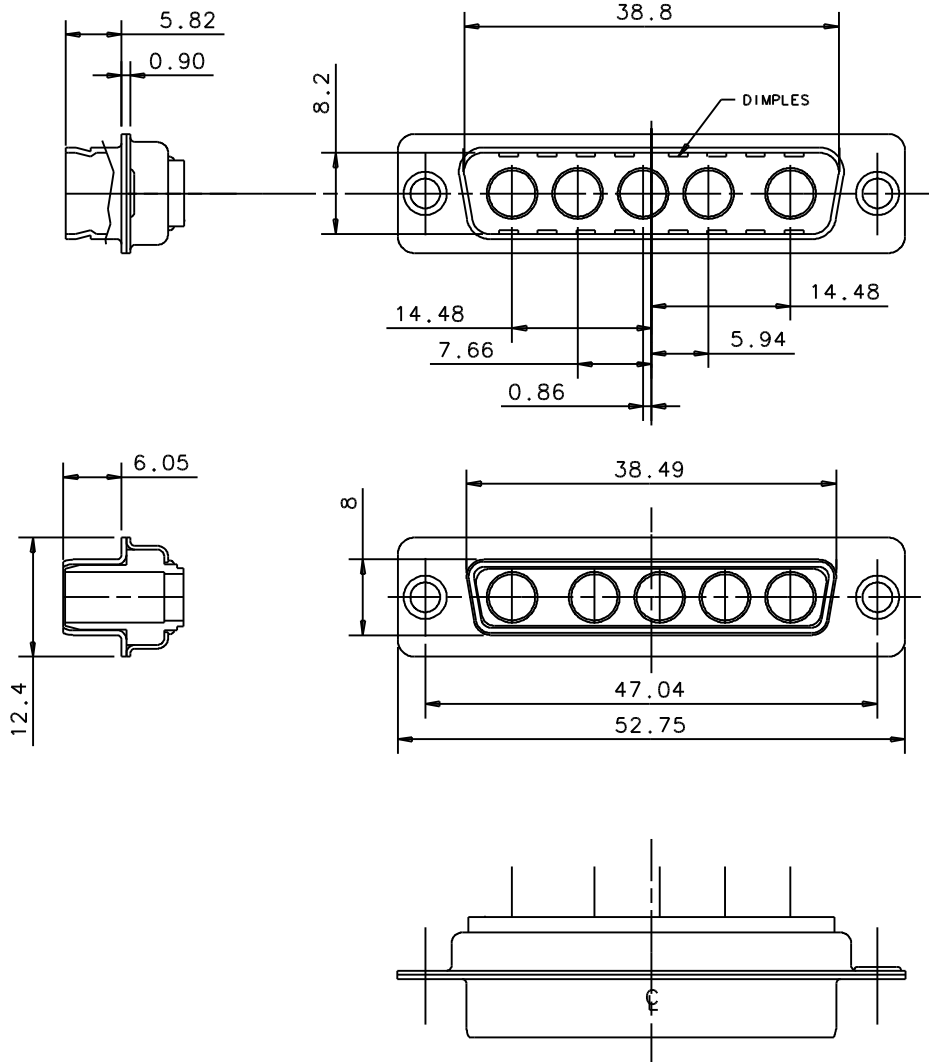
N CLIENT

N OUTIL

N ETUDE

17TW-006

DATE DU TIRAGE



TECHNICAL DATA

' ' D ' ' SUBMINIATURE CONNECTORS

SHELL : Steel .
finish : Tinned .

BODY : Glass filled thermoplastic
Flame retardant to UL 94 Vo
(resist to short term temperature 500°F 260C)
Colour : black .

ELECTRICAL : Voltage proof >1000 V Rms to 50Hz .
Contact resistance <5m Ohms .
Insulator resistance >5000 M Ohms .

CLIMATIC : Temperature range -67°F up to +255°F (-55°C +125°C)
Damp heart 56 days (105°F - 95 % RH) (40°C)
Other climatic specifications in accordance
with NF C 93-425, sheet HE507 and MIL C 24-308 .

MECHANICAL : Mating and unmating force 83N max.

L77TW B 5W5 S

L77TW Tinned shells for receptacle
RoHS version
L717TW Tinned shells with dimples
for plug , RoHS version

Shell size : B

Mounting type
Without

Configuration : 5W5
5 cavities size B

Options:

Contact type : S = female
: P = male

Amphenol Socapex
Usine de Dole

ECHELLE 2 ENSEMBLE TW

Creation plan 28/05/99 Queve
IND. MODIFICATION DATE Execu/Approv



DOSSIER 17-notice

N SERIE 017F DESIGNATION

L77TWB5W5S

COMMUNICATION ET UTILISATION INTERDITES SAUF AUTORISATION