



## Series 1T 120 VAC

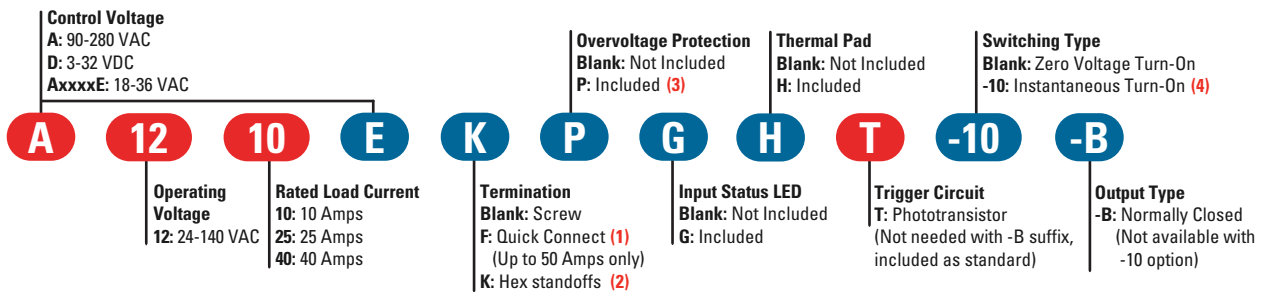
- Ratings from 10A to 40A @ 24-140 VAC
- SCR output for heavy industrial loads
- Zero voltage or instantaneous turn-on outputs
- UL/CSA/VDE Approved, CE Compliant to EN60950-1
- Improved SEMS screw and washer
- Redesigned housing with anti-rotation barriers
- AC or DC control
- Direct bond copper substrate
- Direct power lead frame
- Epoxy free design

For **Generation 3** datasheet [click here](#)

### PRODUCT SELECTION

| Control Voltage | 10A     | 25A     | 40A     |
|-----------------|---------|---------|---------|
| 3-32 VDC        | D1210T  | D1225T  | D1240T  |
| 90-280 VAC      | A1210T  | A1225T  | A1240T  |
| 18-36 VAC       | A1210ET | A1225ET | A1240ET |

### AVAILABLE OPTIONS



- Required for valid part number
- For options only and not required for valid part number
- \* Not all part number combinations are available. Contact Crydom Technical support for information on the availability of a specific part number.

### OUTPUT SPECIFICATIONS <sup>(5)</sup>

| Description  | 10A        | 25A        | 40A        |
|--|------------|------------|------------|
| Operating Voltage Range (47-63Hz) [Vrms]                           | 24-140 VAC | 24-140 VAC | 24-140 VAC |
| Transient Overvoltage [Vpk]  | 600        | 600        | 600        |
| Maximum Off-State Leakage Current @ Rated Voltage [mArms]          | 8          | 8          | 8          |
| Minimum Off-State dv/dt @ Maximum Rated Voltage [V/μsec]           | 500        | 500        | 500        |
| Maximum Load Current [Arms] (2)(6)                                 | 10         | 25         | 40         |
| Minimum Load Current [mArms]                                       | 40         | 40         | 40         |
| Maximum 1 Cycle Surge Current (50/60 Hz) [A <sub>pk</sub> ]        | 115/120    | 239/250    | 597/625    |
| Maximum I <sup>2</sup> t for Fusing (50/60Hz) [A <sup>2</sup> sec] | 66/60      | 285/259    | 1770/1629  |
| Maximum On-State Voltage Drop @ Rated Current [Vrms] (7)           | 1.15       | 1.15       | 1.15       |
| Thermal Resistance Junction to Case [Rjc] [°C/W]                   | 1.03       | 0.8        | 0.5        |
| Minimum Power Factor (at Maximum Load)                             | 0.5        | 0.5        | 0.5        |

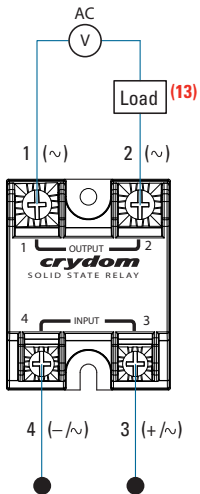
### INPUT SPECIFICATIONS <sup>(5)</sup>

| Description                             | D12xxT         | A12xxT      | A12xxET    |
|---|----------------|-------------|------------|
| Control Voltage Range                   | 3-32 VDC       | 90-280 Vrms | 18-36 Vrms |
| Minimum Turn-On Voltage (8)             | 3.0 VDC (9)    | 90 Vrms     | 18 Vrms    |
| Must Turn-Off Voltage (10)              | 1 VDC          | 10 Vrms     | 4 Vrms     |
| Minimum Input Current for on-state [mA] | 3.4            | 2           | 2          |
| Maximum Input Current for on-state [mA] | 24             | 4.9         | 4          |
| Nominal Input Impedance [Ohms]          | 1.5K           | 60K         | 9K         |
| Maximum Turn-on Time [msec]             | 1/2 Cycle (11) | 10          | 10         |
| Maximum Turn-off Time [msec]            | 1/2 Cycle      | 40          | 40         |

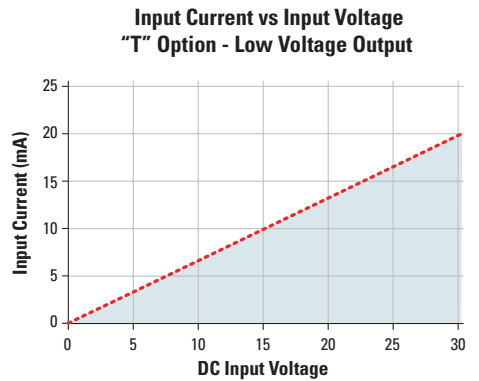
**GENERAL SPECIFICATIONS <sup>(5)</sup>**

| Description   | Parameters                     |
|---|--------------------------------|
| Dielectric Strength, Input/Output/Base (50/60Hz)                              | 4000 Vrms                      |
| Minimum Insulation Resistance (@ 500 VDC)                                     | 10 <sup>9</sup> Ohm            |
| Maximum Capacitance, Input/Output   | 8 pF                           |
| Ambient Operating Temperature Range   | -40 to 80 °C                   |
| Ambient Storage Temperature Range   | -40 to 125 °C                  |
| Weight (typical)  | 2.64 oz (74.9 gr)              |
| Housing Material  | UL 94 V-0                      |
| Baseplate Material  | Aluminum                       |
| Input Terminal Screw Torque Range [in-lb/Nm]                                  | 13-15 / 1.5-1.7                |
| Output Terminal Screw Torque Range [in lb/Nm]                                 | 18-20 (2-2.2)                  |
| SSR Mounting Screw Torque Range [in-lb/Nm]                                    | 18-20 / 2.0-2.2                |
| Input/Load Terminal Screw Torque Range (in-lb/Nm) <sup>(2)</sup>              | w/"K" option 8-10 / 0.9-1.13   |
| Input/Output Terminal Screw Thread Size                                       | #6-32 UNC / #8-32 UNC          |
| Humidity per IEC60068-2-78  | 93% Non condensing             |
| LED Input Status Indicator  | w/"G" option (green)           |
| MTBF (Mean Time Between Failures) at 40°C ambient temperature <sup>(12)</sup> | 11,641,553 hours (1,328 years) |
| MTBF (Mean Time Between Failures) at 60°C ambient temperature <sup>(12)</sup> | 7,210,376 hours (823 years)    |

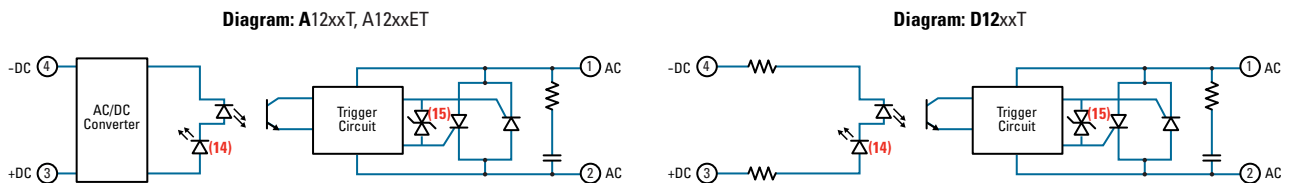
**WIRING DIAGRAM**



| Recommended Wire Sizes |   |                                |
|------------------------|---|--------------------------------|
| Terminals              | Wire Size (Solid / Stranded)                      | Wire Pull-Out Strength (lb)[N] |
| Input                  | 24 AWG (0.2 mm <sup>2</sup> ) / 0.2 [minimum]     | 10 [44.5]                      |
|                        | 2 x 12 AWG (3.3 mm <sup>2</sup> ) / 3.3 [maximum] | 90 [400]                       |
| Output                 | 20 AWG (0.5 mm <sup>2</sup> ) / 0.518 [minimum]   | 30 [133]                       |
|                        | 2 x 10 AWG (5.3 mm <sup>2</sup> ) / 5.3 [maximum] | 110 [490]                      |
|                        | 2 x 8 AWG (8.4 mm <sup>2</sup> ) / 8.4 [maximum]  | 90 [400]                       |



**EQUIVALENT CIRCUIT BLOCK DIAGRAMS**



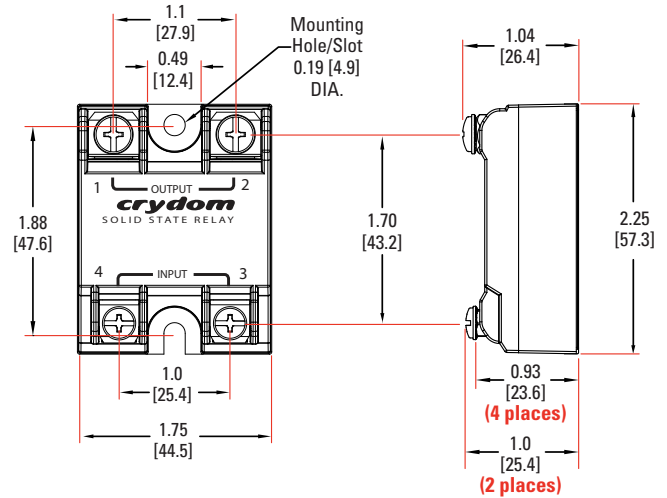
**MECHANICAL SPECIFICATIONS<sup>(5)</sup>**

Tolerances: ±0.02 in / 0.5 mm  
All dimensions are in: inches [millimeters]

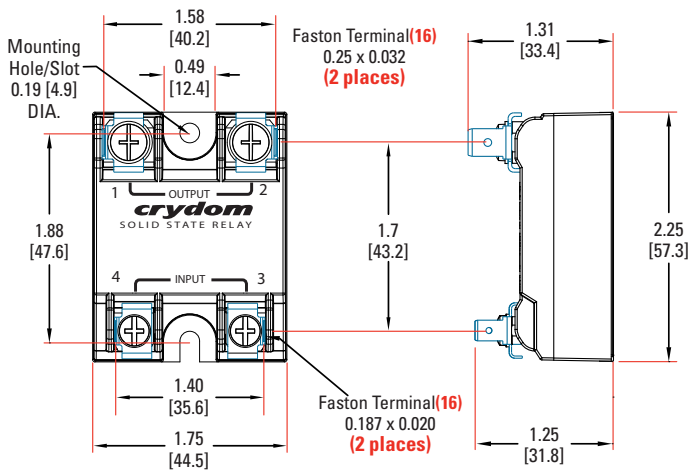
**Screw Termination**



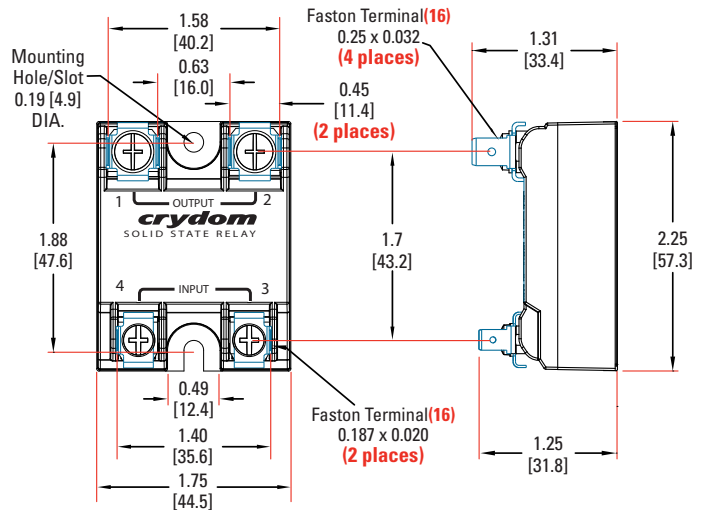
**Hex Standoff Termination ("K" Option)<sup>(2)</sup>**



**Quick Connect Termination ("F" Option) - Up to 25 Amp<sup>(1)</sup>**



**Quick Connect Termination ("F" Option) - Up to 50 Amp<sup>(1)</sup>**

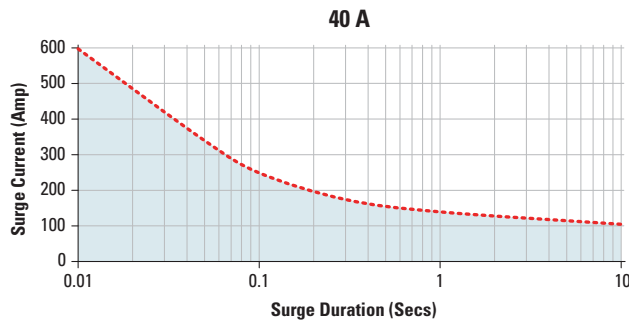
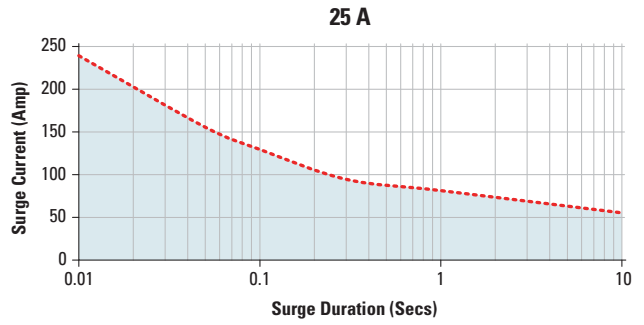
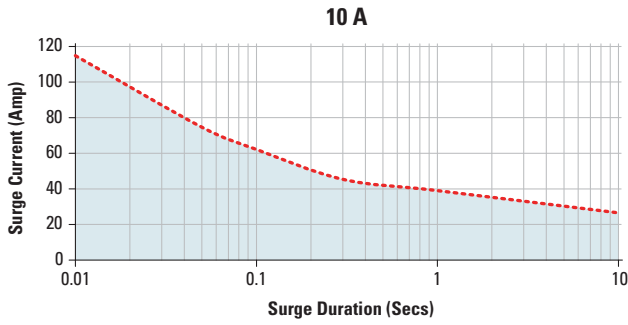


**GENERAL NOTES**

- (1) Single pair (up to 25A) Double pair\* (up to 50A). \***Caution:** User must connect both pairs.
- (2) Option "K" is designed and tested for use with printed circuit boards or ring/fork terminals having a thickness between 0.031 and 0.093 inches (0.79 to 2.36 mm), and loads rated up to 50 Amps. For higher load currents, the "K" standoff temperature must not exceed 105°C. For additional application assistance please contact Crydom Technical Support.
- (3) Output will self trigger between 450-600Vpk, Min., not suitable for capacitive loads.
- (4) Instantaneous turn-on version is not recommended for capacitive loads. Use zero turn-on only.
- (5) All parameters at 25°C unless otherwise specified.
- (6) Heat sinking required, see derating curves.
- (7) For 40mA minimum current, the voltage drop increases over maximum rated.
- (8) Maximum turn-on voltage for -B option is: 1VDC for DC control, 10Vrms for AC control, and 4Vrms for E control range.
- (9) For relays with option "G" minimum control voltage is 4.5VDC.
- (10) Must turn-off voltage for -B option is: 3VDC for DC control, 90Vrms for AC control, and 18Vrms for E control range.
- (11) Turn-on time for Instantaneous turn-on versions is 0.02 msec (DC Control Models).
- (12) All parameters at 50% power rating and 100% duty cycle (contact Crydom tech support for detailed report).
- (13) Load can be wired to either SSR output terminal 1 or 2.
- (14) Elective Input Status LED, "G" option.
- (15) Elective Overvoltage Protection, "P" option.
- (16) Mechanical dimensions vary from G3 models.

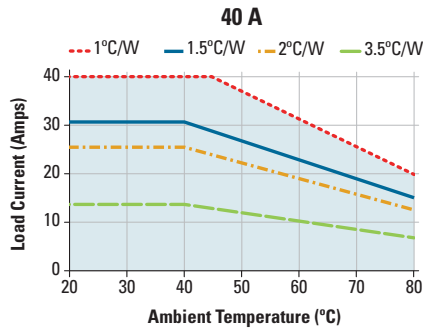
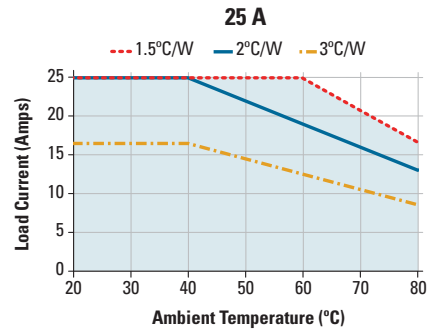
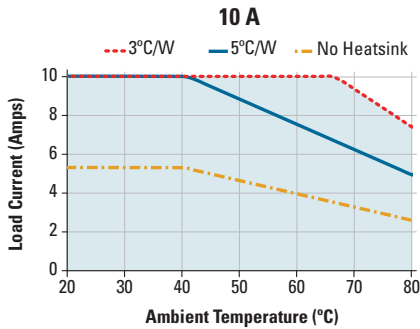
For additional information or specific questions, contact Crydom Technical Support.

**SURGE CURRENT INFORMATION**



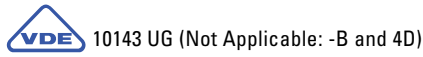
Non repetitive peak surge current at Tj initial 40°C.

**THERMAL DERATE INFORMATION**



**AGENCY APPROVALS**

EN60950 : Meets the requirements of sections 1.5: 1.7: 2.9: 2.10.5.3: 4.2: 4.5: 4.7:  
 Designed in accordance with the requirements of IEC 62314  
 IEC 61000-4-2 : Electrostatic Discharge – Level 3  
 IEC 61000-4-4 : Electrically Fast Transients – Level 3  
 IEC 61000-4-5 : Electrical Surges – Level 3  
 IEC 60068-2-6 : Vibration 0.33mm and 0.75 mm Amplitude over 10-55 Hz  
 IEC 60068-2-27 : Shock Resistance 15g/11ms



**ACCESSORIES**

**New Accessories!**  
**Protective Cover & Hardware Kits**

**Protective Cover**  
 Part number: KS101



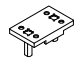

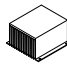
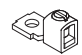
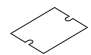
Clear plastic cover compatible with all new S1 designs. Safety covers provide added protection from electric shock when installing or checking equipment.

**Hardware Kit**  
 Part number: HK4



Bag with 2 square brass accessories and 2 screw 8-32 x 5/8 for output. Used to mount TMR1 lug terminals.

**Recommended Accessories**

|  <b>Cover</b> |  <b>Hardware Kit</b> |  <b>Heat Sink Part No.</b> | <b>Thermal Resistance [°C/W]</b> |  <b>Lug Terminal</b> |  <b>Thermal Pad</b> |
|---|--|--|----------------------------------|--|---|
| KS101   | HK1  | HS501DR  | 5.0                              | TRM1   | HSP-1   |
|   |  | HS301 / HS301DR  | 3.0                              |  |   |
|   | HK4  | HS251  | 2.5                              | TRM6   | HSP-2   |
|   |  | HS202 / HS202DR  | 2.0                              |  |   |
|   |  | HS201 / HS201DR  | 2.0                              |  |   |
|   |  | HS172  | 1.7                              |  |   |
|   |  | HS151 / HS151DR  | 1.5                              |  |   |
|   |  | HS122 / HS122DR  | 1.2                              |  |   |
|   |  | HS103 / HS103DR  | 1.0                              |  |   |
|   |  | HS101  | 1.0                              |  |   |
|   |  | HS073  | 0.7                              |  |   |
|   |  | HS072  | 0.7                              |  |   |
|   |  | HS053  | 0.5                              |  |   |
|   |  | HS033  | 0.36                             |  |   |
| HS023   | 0.25   |  |                                  |  |   |

**⚠ DANGER / PELIGRO / DANGER /GEFAHR / PERICOLO / 危險**

|  |  |   |  |  |   |
|--|--|---|--|--|---|
| <p><b>HAZARD OF ELECTRIC SHOCK, EXPLOSION, OR ARC FLASH.</b></p> <ul style="list-style-type: none"> <li>• Disconnect all power before installing or working with this equipment.</li> <li>• Verify all connections and replace all covers before turning on power.</li> </ul> <p><b>Failure to follow these instructions will result in death or serious injury.</b></p> | <p><b>RIESGO DE DESCARGA ELECTRICA O EXPLOSION.</b></p> <ul style="list-style-type: none"> <li>• Desconectar todos los suministros de energia a este equipo antes de trabajar con este equipo.</li> <li>• Verificar todas las conexiones y colocar todas las tapas antes de energizar el equipo.</li> </ul> <p><b>El incumplimiento de estas instrucciones puede provocar la muerte o lesiones serias.</b></p> | <p><b>RISQUE DE DESCARGE ELECTRIQUE OU EXPLOSION</b></p> <ul style="list-style-type: none"> <li>• Eteindre toutes les sources d'énergie de cet appareil avant de travailler dessus de cet appareil</li> <li>• Vérifier tous connections, et remettre tous couverts en olace avant de mettre sous</li> </ul> <p><b>De non-suivi de ces instructions provoquera la mort ou des lésions sérieuses.</b></p> | <p><b>GEFAHR EINES ELEKTRISCHE N SCHLAGES ODER EINER EXPLOSION.</b></p> <ul style="list-style-type: none"> <li>• Stellen Sie jeglichen Strom ab, der dieses Gerät versorgt, bevor Sie an dem Gerät Arbeiten durchführen</li> <li>• Vor dem Drehen auf Energie alle Anschlüsse überprüfen und alle Abdeckungen ersetzen.</li> </ul> <p><b>Unterlassung dieser Anweisungen können zum Tode oder zu schweren Verletzungen führen.</b></p> | <p><b>RISCHIO DI SCOSSA ELETTRICA O DELL'ESPLOSIONE.</b></p> <ul style="list-style-type: none"> <li>• Spenga tutta l'alimentazione che fornisce questa apparecchiatura prima di lavorare a questa apparecchiatura</li> <li>• Verificare tutti i collegamenti e sostituire tutte le coperture prima dell'accensione</li> </ul> <p><b>L'omissione di queste istruzioni provocherà la morte o lesioni serie</b></p> | <p><b>存在电击、爆炸或电弧闪烁危险</b></p> <ul style="list-style-type: none"> <li>• 在操作此设备之前请先关闭电源。</li> </ul> <p><b>若不遵守这些说明,可能会导致严重的人身伤害甚至死亡。</b></p> |
|--|--|---|--|--|---|

**⚠ WARNING / AVERTISSEMENT / WARNUNG /ADVERTENCIA / AVVERTENZA / 警告**

|  |  |  |
|--|--|--|
| <p><b>RISK OF MATERIAL DAMAGE AND HOT ENCLOSURE</b></p> <ul style="list-style-type: none"> <li>• The product's side panels may be hot, allow the product to cool before touching.</li> <li>• Follow proper mounting instructions including torque values.</li> <li>• Do not allow liquids or foreign objects to enter this product.</li> </ul> <p><b>Failure to follow these instructions can result in serious injury, or equipment damage.</b></p>   | <p><b>RISQUE DE DOMMAGE MATERIEL ET DE SURCHAUFFE DU BOITIER</b></p> <ul style="list-style-type: none"> <li>• Les panneaux latéraux du produit peuvent être chauds. Laisser le produit refroidir avant de le toucher.</li> <li>• Respecter les consignes de montage, et notamment les couples de serrage.</li> <li>• Ne pas laisser pénétrer de liquide ni de corps étrangers à l'intérieur du produit.</li> </ul> <p><b>Le non-respect de cette directive peut entraîner, des lésions corporelles graves ou des dommages matériels.</b></p> | <p><b>GEFAHR VON MATERIALSCHÄDEN UND GEHÄUSEERHITZUNG</b></p> <ul style="list-style-type: none"> <li>• Die Seitenwände können heiß sein. Lassen Sie das Produkt abkühlen, bevor Sie es berühren.</li> <li>• Beachten Sie die Montageanweisungen,</li> <li>• Führen Sie keine Flüssigkeiten oder Fremdkörper in das Produkt ein.</li> </ul> <p><b>Die Nichtbeachtung dieser Anweisung kann Körperverletzung oder Materialschäden zur Folge haben.</b></p> |
| <p><b>RIESGO DE DAÑOS MATERIALES Y DE SOBRECALENTAMIENTO DE LA UNIDAD</b></p> <ul style="list-style-type: none"> <li>• Los paneles laterales del producto pueden estar calientes. Esperar que el producto se enfríe antes de tocarlo.</li> <li>• Respetar las instrucciones de montaje, y en particular los pares de apretado.</li> <li>• No dejar que penetren líquidos o cuerpos extraños en el producto.</li> </ul> <p><b>Si no se respetan estas precauciones pueden producirse graves lesiones, daños materiales.</b></p> | <p><b>RISCHIO DI DANNI MATERIALI E D'INVOLUCRO CALDO</b></p> <ul style="list-style-type: none"> <li>• I pannelli laterali dell'apparecchio possono scottare; lasciar quindi raffreddare il prodotto prima di toccarlo.</li> <li>• Seguire le istruzioni di montaggio corrette.</li> <li>• Non far entrare liquidi o oggetti estranei in questo apparecchio.</li> </ul> <p><b>La mancata osservanza di questa precauzione può causare gravi rischi per l'incolumità personale o danni alle apparecchiature.</b></p>                           | <p><b>材料损坏和高温外壳的危险性</b></p> <ul style="list-style-type: none"> <li>• 产品的一侧面板可能很热，在其冷却前请不要触碰。</li> <li>• 遵照正确的安装说明，包括扭矩值。</li> <li>• 请勿让液体及其他异物进入本产品。</li> </ul> <p><b>如不能正确执行这些操作说明,极有可能造成严重人体伤害或者设备的损坏。</b></p>   |

**ANNEX - ENVIROMENTAL INFORMATION**

The environmental information disclosed in this annex including the EIP Pollution logo are in compliance with People’s Republic of China Electronic Industry Standard SJ/T11364 – 2006, Marking for Control of Pollution Caused by Electronic Information Products.

| Part Name         | Toxic or hazardous Substance and Elements |              |              |                               |                                |                                       |
|-------------------|---|--------------|--------------|-------------------------------|--------------------------------|---------------------------------------|
|                   | Lead (Pb)                                 | Mercury (Hg) | Cadmium (Cd) | Hexavalent Chromium (Cr (VI)) | Polybrominated biphenyls (PBB) | Polybrominated diphenyl ethers (PBDE) |
| Semiconductor die | X   | ○            | ○            | ○                             | ○                              | ○                                     |
| Solder            | X   | ○            | ○            | ○                             | ○                              | ○                                     |

附件 – 环保信息

此附件所标示的包括电子信息产品污染图标的环保信息符合中华人民共和国电子行业标准 SJ/T11364 - 2006, 电子信息产品污染控制标识要求。

| 部件名称  | 有毒有害物质或元素 |        |        |               |            |              |
|-------|-----------|--------|--------|---------------|------------|--------------|
|       | 铅 (Pb)    | 汞 (Hg) | 镉 (Cd) | 六价铬 (Cr (VI)) | 多溴联苯 (PBB) | 多溴二苯醚 (PBDE) |
| 半导体芯片 | X         | ○      | ○      | ○             | ○          | ○            |
| 焊接点   | X         | ○      | ○      | ○             | ○          | ○            |

