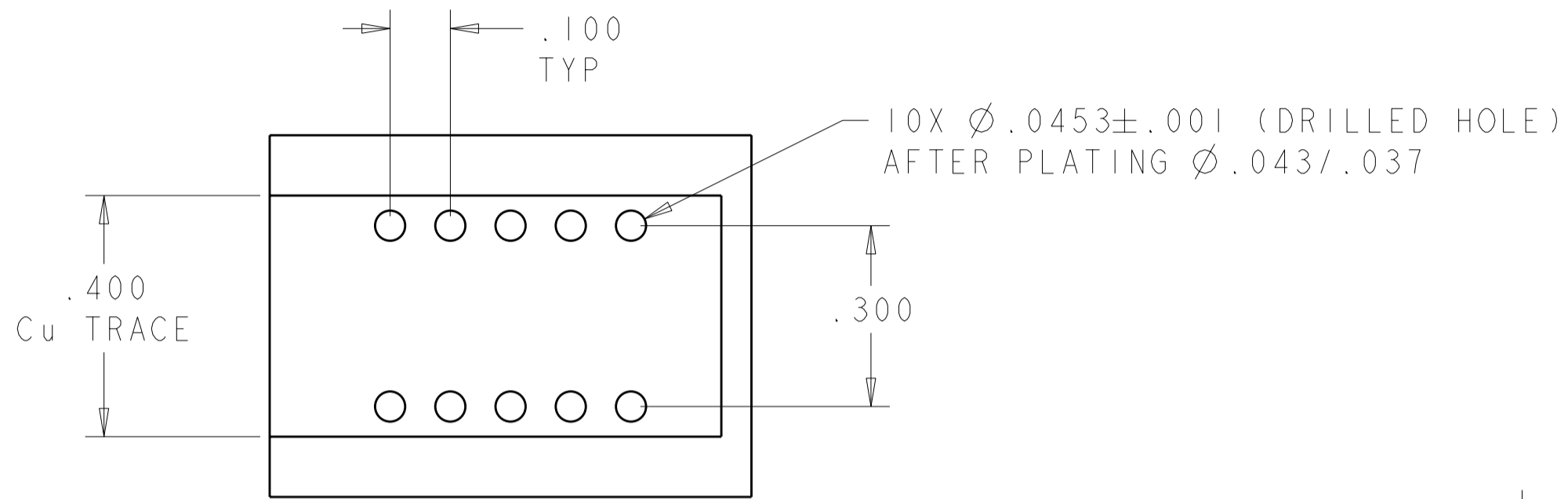
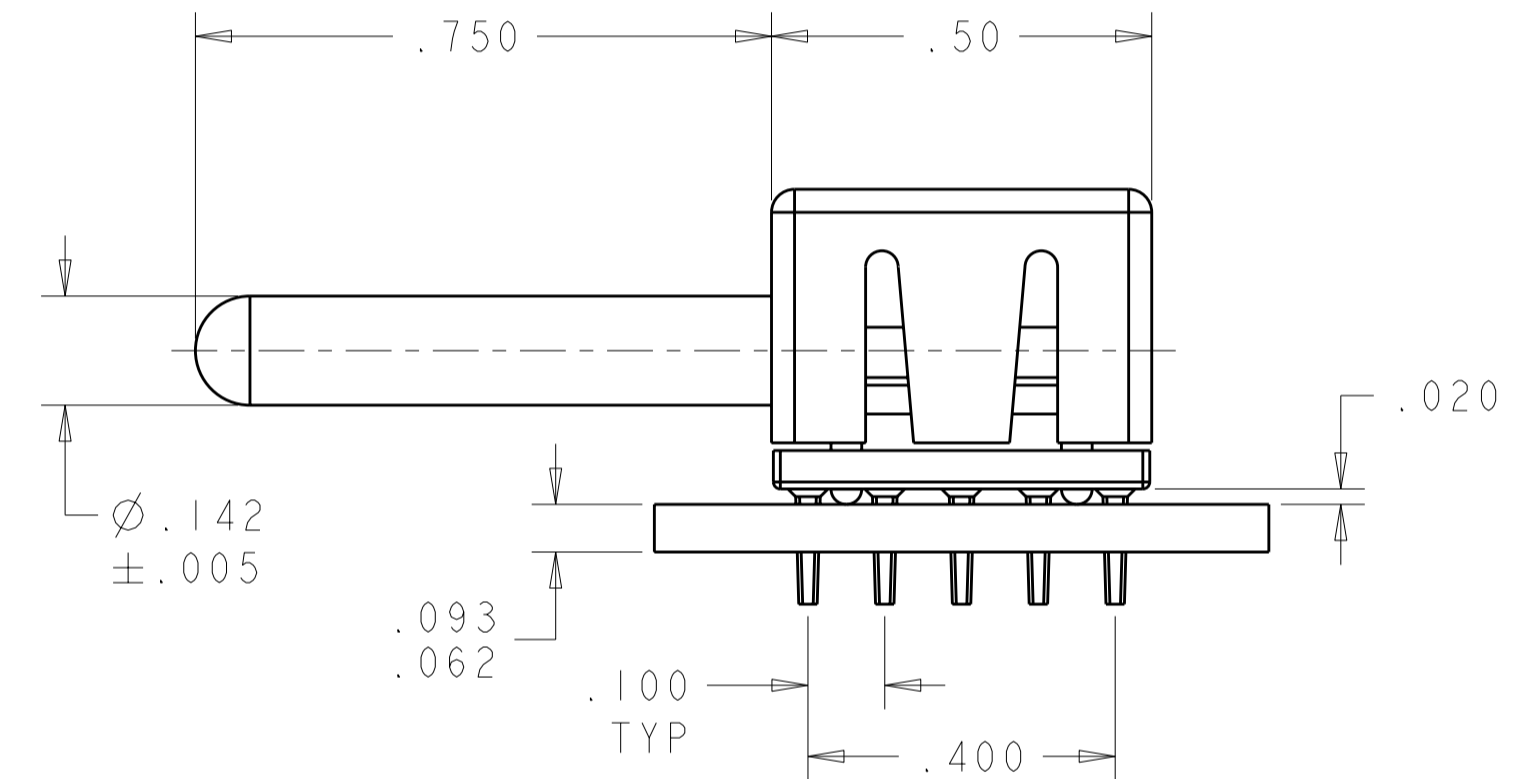
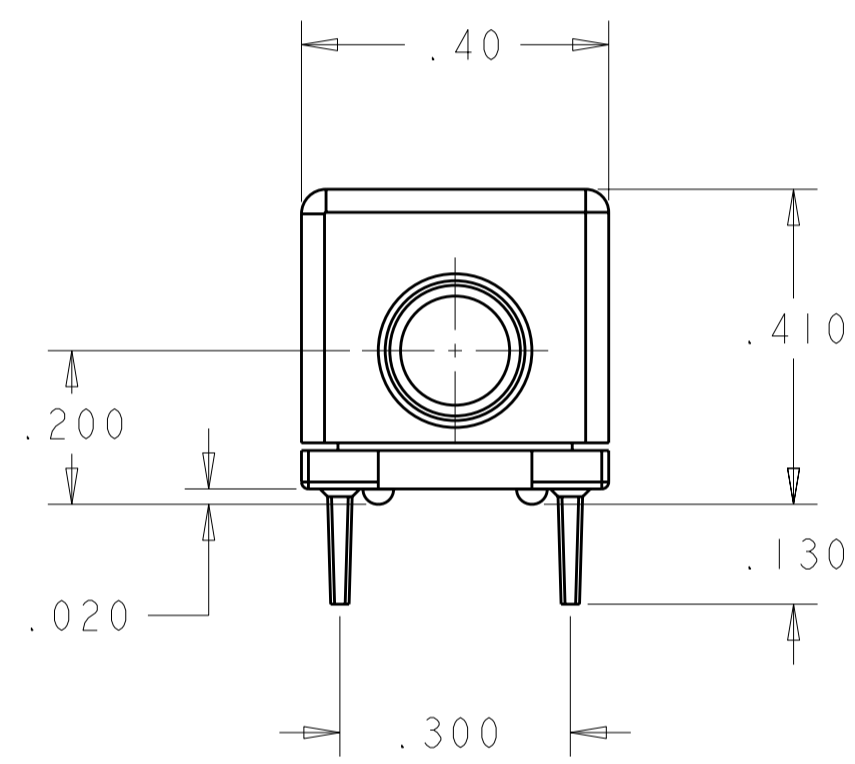


THIS DRAWING IS UNPUBLISHED. RELEASED FOR PUBLICATION 20
 © COPYRIGHT 20 BY TYCO ELECTRONICS CORPORATION. ALL RIGHTS RESERVED.

LOC	DIST	REVISIONS					
GP	00	P	LTR	DESCRIPTION	DATE	DWN	APVD
		A		RELEASED	26 JUN 2008	RG	DO
		B		REV PER ECO-10-020184	11 JAN 2011	RG	NE



RECOMMENDED FOOTPRINT



- PART NUMBER CHANGES AND/OR DESIGN CHANGES AFFECTING ITEM INTERCHANGEABILITY REQUIRE PRIOR TYCO ELECTRONICS APPROVAL AND AUTHORIZATION BY REVISION TO THIS DRAWING.
- ITEMS PROVIDED TO THIS SPECIFICATION SHALL BE IDENTIFIED ON THE CONTAINER WITH THE FOLLOWING INFORMATION:
PART NUMBER AND DATE CODE OF MANUFACTURING.

3 MATERIAL:
 INSULATOR: POLYESTER, GLASS FILLED, COLOR BLACK
 94V-0 RATED
 SOCKET BODY: ZINC METAL CASTING
 CROWN BAND: COPPER ALLOY
 PIN CONTACT: BRASS ALLOY
 SOLDER TAIL: PHOSPHOR BRONZE

4 FINISH:
 CROWN BAND: GOLD PLATE .000030 MIN THK. OVER
 NICKEL .000050 MIN THK.
 SOLDER TAIL: SILVER PLATE .000200 MIN THK. OVER
 NICKEL .000050 MIN THK.
 SOCKET BODY: SILVER PLATE .000200 MIN THK. OVER
 NICKEL .000050 MIN THK.

AS SHOWN	6643432-1
DESCRIPTION	PART NO.

THIS DRAWING IS A CONTROLLED DOCUMENT FOR TYCO ELECTRONICS CORPORATION IT IS SUBJECT TO CHANGE AND THE CONTROLLING ENGINEERING ORGANIZATION SHOULD BE CONTACTED FOR THE LATEST REVISION.		DWN R. GRZYBOWSKI 26 JUN 08	Tyco Electronics Harrisburg, PA 17105-3608	
DIMENSIONS: INCHES		CHK D. ORRIS 26 JUN 08	NAME PIN, PARALLEL SOLDER, NON-LOCKING STYLE ICCON	
TOLERANCES UNLESS OTHERWISE SPECIFIED: 0 PLC ± 1 PLC ± 2 PLC ± 3 PLC ±.020 4 PLC ± ANGLES ±3 FINISH		APVD S. FLICKINGER 26 JUN 08	PRODUCT SPEC -	RESTRICTED TO -
MATERIAL 3	4	APPLICATION SPEC -	WEIGHT -	SIZE A2
CUSTOMER DRAWING		CAGE CODE 00779	DRAWING NO. 6643432	SCALE 4:1
		SHEET 1 OF 1		REV B